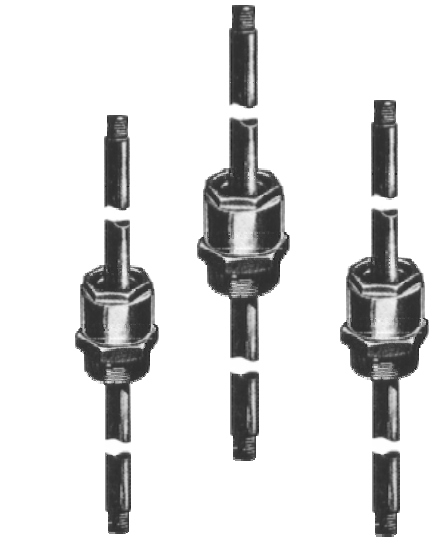


STUFFING BOXES

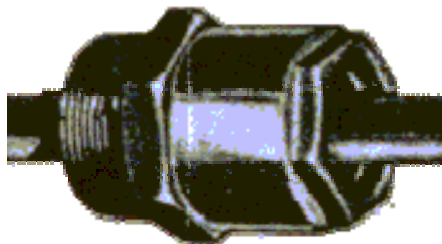
2 - 20 - 08

WINDMILL STUFFING BOXES

- \$ 93.00 114SB716 114SB58 **1-1/4" STUFFING BOX** Designed to screw into a 1-1/4" tee, these heavy duty stuffing boxes are made entirely of brass and are furnished with steel rods. Piston rods are 3/4" diameter x 18" long and can be furnished with either 7/16" or 5/8" threads (be sure to specify). These boxes are already factory packed using 1/4" square graphite rope packing and are ready for your installation.
- \$ 107.00 2SB716 2SB58 **2" STUFFING BOX** with 18" rod designed to screw into a 2" tee.
- \$ 138.00 2SBW48ROD58 **2" STUFFING BOX** with 48" rod designed for use with open top cylinder
- \$ 4.95 14X6PKG **EXTRA PACKING** 1/4" x 6" piece of graphite rope packing.
- \$ 17.95 34X18ROD716 34X18ROD58 **ROD ONLY** Replacement 3/4" x 18" steel rod - specify 7/16" or 5/8"
- \$ 29.95 34X48ROD **EXTRA LONG ROD** 3/4" x 48" steel rod only - threaded 5/8" ends

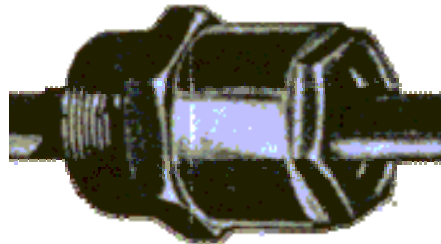


- \$ 116.00 3 IBTSB **#3 IBT STUFFING BOX** The #3 inverted brass tube stuffing box (shown directly above) has a 1-1/8" inside diameter brass tube that is 18" long. The top brass connection is threaded 2" male iron pipe thread. The brass piston has two 1-1/8" leather cups on a 5/8" steel plunger rod with 5/8" standard rod threads. This IBT stuffing box can accommodate upto a 12" stroke. Larger diameter brass tubes and longer strokes are available on request.
- \$ 3.15 711118x58 **1-1/8" x 5/8" #711 Cup** for #3 IBT Stuffing Box



HEAVY SERVICE PACKING BOXES

- \$ 259.00 2HSPB58 2HSPB78 **2" HEAVY SERVICE PACKING BOXES** These extra heavy duty boxes are made entirely of brass and furnished with steel rods. They are bored throughout the full length to hold the most packing possible. Piston rods are 1-1/16" diameter by 4 feet long and threaded for 5/8" pump rod. These boxes use 3/8" packing for the 2", and use 1/2" packing for 2-1/2" and 3" models. About 5 ounces of packing is required.
- \$ 285.00 212HSPB58 212HSPB78 **2-1/2" HEAVY SERVICE BOX** above except for being threaded 7/8"
- \$ 289.00 3HSPB58 3HSPB78 **3" HEAVY SERVICE BOX** as above and is special order only.



FIBERGLASS SUCKER ROD GUIDES

- \$ 10.60 582RG **5/8" x 2" ROD GUIDE** for use on 5/8" fiberglass sucker rod in 2" pipe. These guides act as centralizers for your rod, which helps prevent excessive rod wear and splintering. Manufacturer of rod recommends two guides per length of rod for optimum protection and long rod life.
- \$ 11.95 58212RG **5/8" x 2-1/2" ROD GUIDE** for use with 5/8" fiberglass rod in 2-1/2" pipe.
- \$ 10.60 342RG **3/4" x 2" ROD GUIDE** for use with 3/4" fiberglass sucker rod in 2" pipe.
- \$ 11.95 34212RG **3/4" x 2-1/2" ROD GUIDE** for use with 3/4" fiberglass rod in 2-1/2" pipe.
- \$ 18.65 343RG **3/4" x 3" ROD GUIDE** for use with 3/4" fiberglass rod in 3" pipe.

