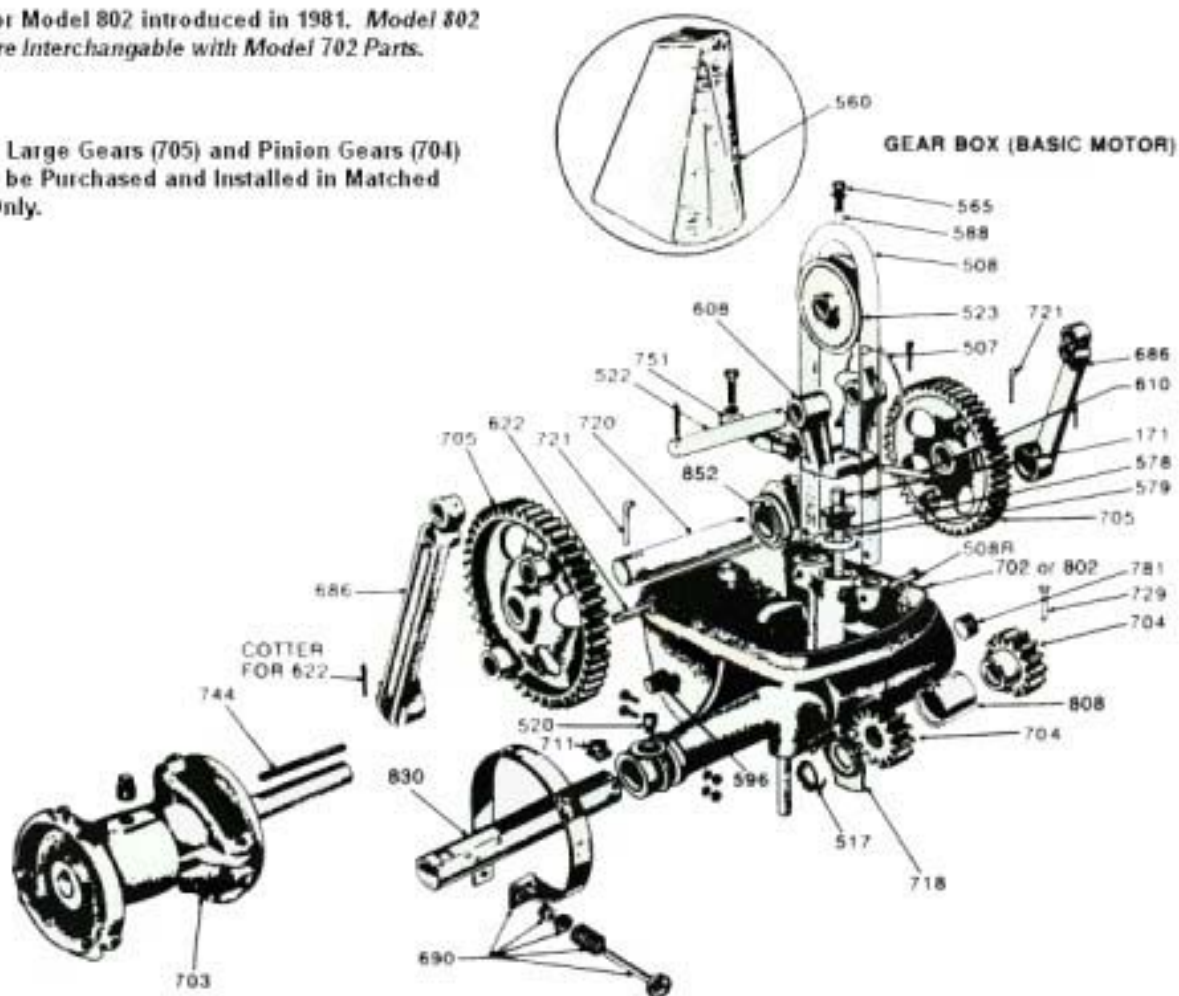
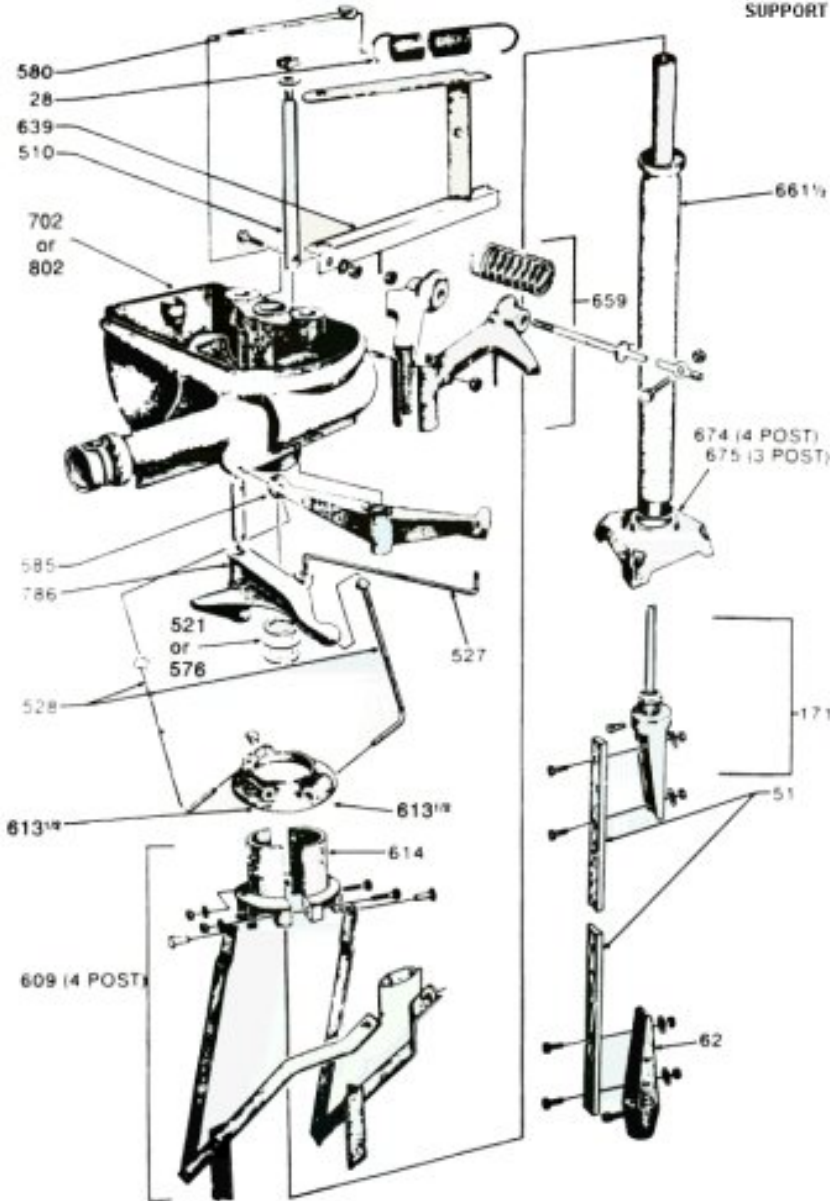


Parts for Model 802 introduced in 1981. Model 802 Parts are Interchangeable with Model 702 Parts.

**NOTE:** Large Gears (705) and Pinion Gears (704) should be Purchased and Installed in Matched Pairs Only.



**BRAKE, FURL & SUPPORT SYSTEMS**



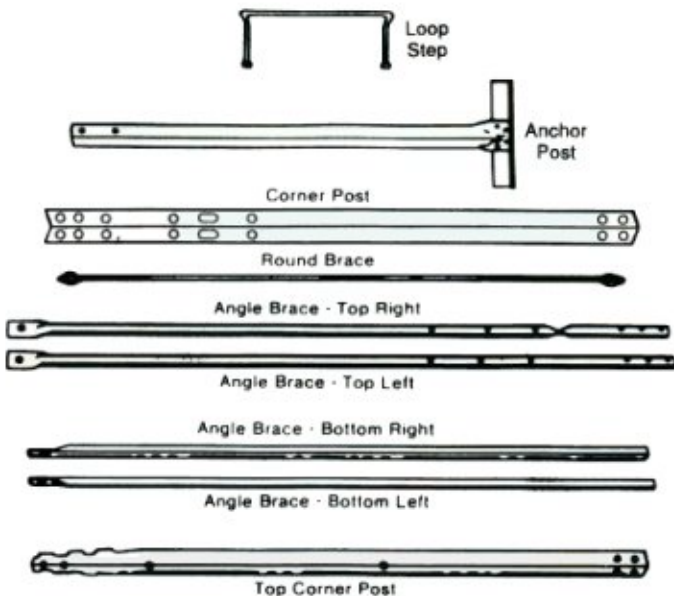
**IDENTIFYING YOUR MODEL**

Older Aermotor windmills have the model number ( ie #502, #602, or #702 ) as well as a size designation ( ie X = 6', A = 8', B = 10', D = 12', E = 14', F = 16' ) in raised letters on the main frame casting itself near the hub.

Model #502 & #602 are very old models with limited parts still available. Almost no repair parts will work on the old model #502. Parts with number 28 thru 690 are the only parts available for the old model #602. All parts are available for the older model #702 and the current model #802 windmills. All parts for the import Fiasa #702 windmill are the same and are interchangeable with Aermotor windmills. Fiasa windmills have the size and model number in raised letters just below the lip of the helmet, on the hub side of the main frame. The new #802 Aermotor windmills have a brass identification plate on the case near the hub.

If you have an older windmill which needs a large amount of repair parts, you may find that a new replacement basic motor or a complete new windmill may actually be less costly than trying to repair your old mill.

**BASIC TOWER PARTS**



**Oiling Platform  
Widespread Towers Only**

